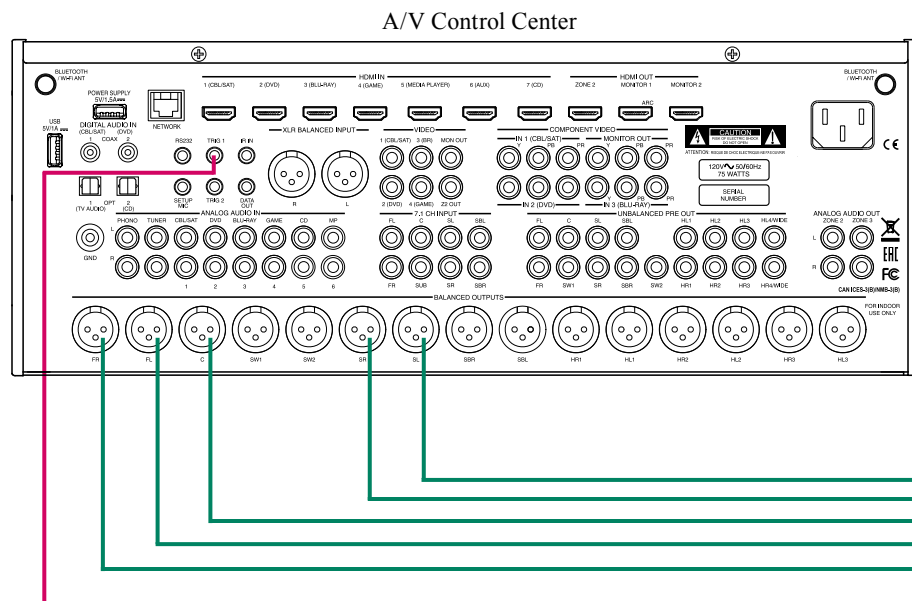
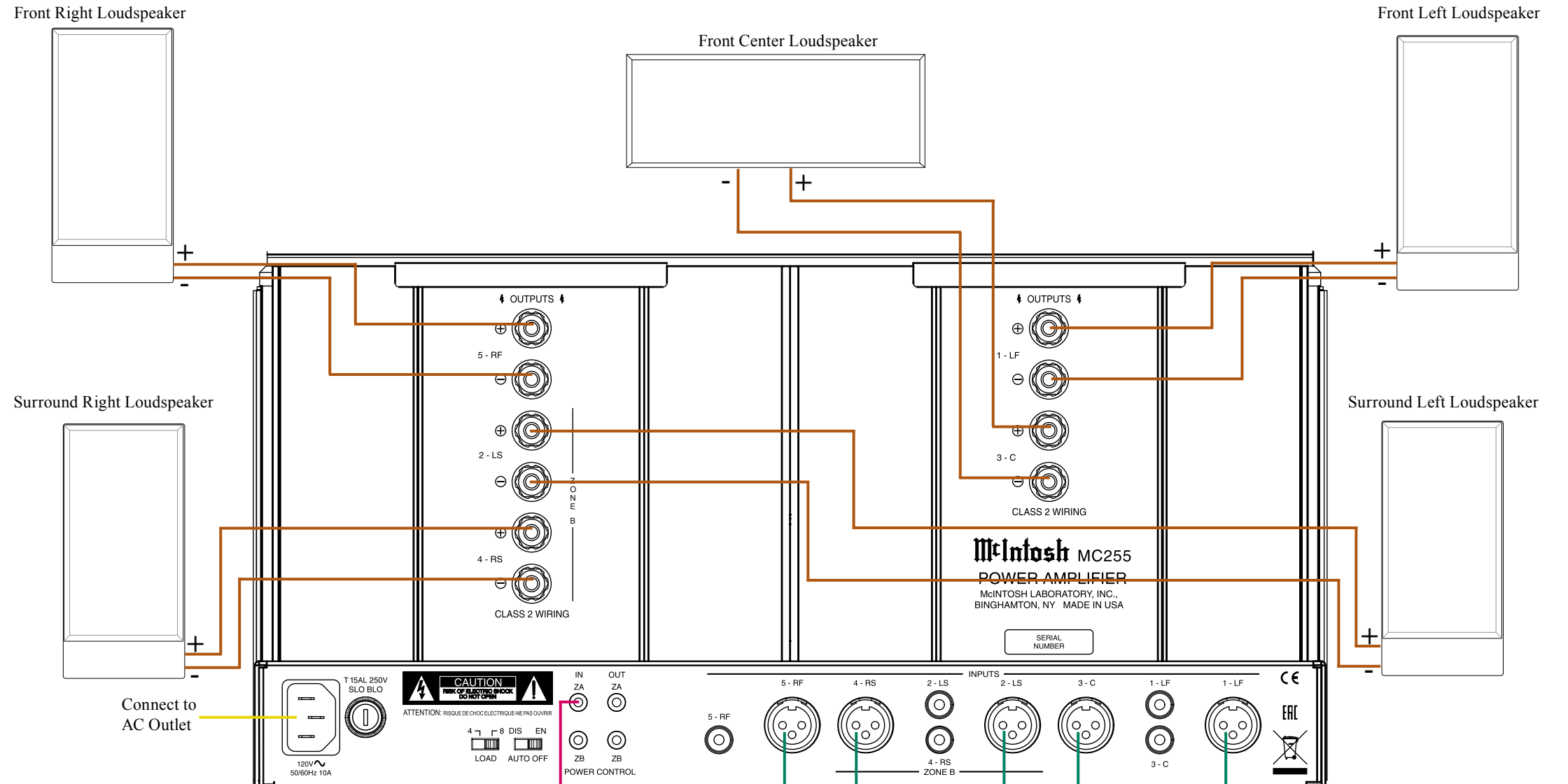


Note: Refer to the MC255 Owner's Manual pages 7 & 8 for additional connection information.

**Connection Legend:**

- Data Cable\* - — Digital Signal Cable - —
- Sensor/Keypad Cable - — Network/RS232 Cable - —
- Power Control Cable\* - — Ground Wire - —
- Audio Signal Cable - — AC Power Cords - —
- Video Signal Cable - — Loudspeaker Cable - —
- RF Signal Cable - —

\* 2 conductor shielded with 1/8 inch stereo mini phone plug on each end.





# MC255 Three Channel Zone A and Two Channel Zone B System Connection Diagram

Note: Refer to the MC255 Owner's Manual pages 7 & 8 for additional connection information.

### Connection Legend:

- Data Cable\* - — Digital Signal Cable - —
- Sensor/Keypad Cable - — Network/RS232 Cable - —
- Power Control Cable\* - — Ground Wire - —
- Audio Signal Cable - — AC Power Cords - —
- Video Signal Cable - — Loudspeaker Cable - —
- RF Signal Cable - —

\* 2 conductor shielded with 1/8 inch stereo mini phone plug on each end.

